

# Model: PM2C

## PCI-E 1X to mini pci express adapter

### Reference Schematic Rev. 1.00

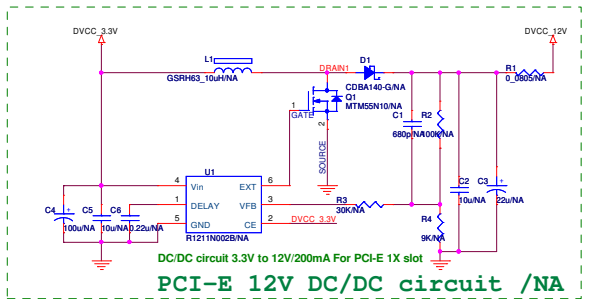
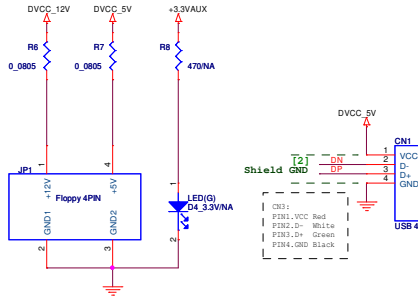
Schematic update note:  
 First released.....2009/Aug/11 V1.00

### PCB Layout Guideline

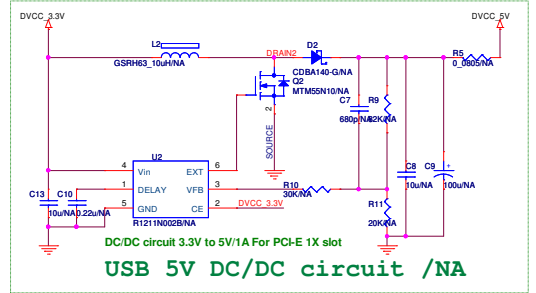
RXp and RXn are a 100 ohm differential impedance pair (50 ohm single ended) and must be length matched with 5 mils.

(CTXn + TXn) and (CTXp + TXp) are a 100 ohm differential impedance pair (50 ohm single ended) and must be length matched with 5 mils. i.e. CTXp must be within 5 mils of CTXn, TXp must be within 5 mils of TXn, and (CTXp + TXp) must be within 5 mils of (CTXn + TXn). The coupling capacitors must be placed as close to the PCI Express Edge connector as possible.

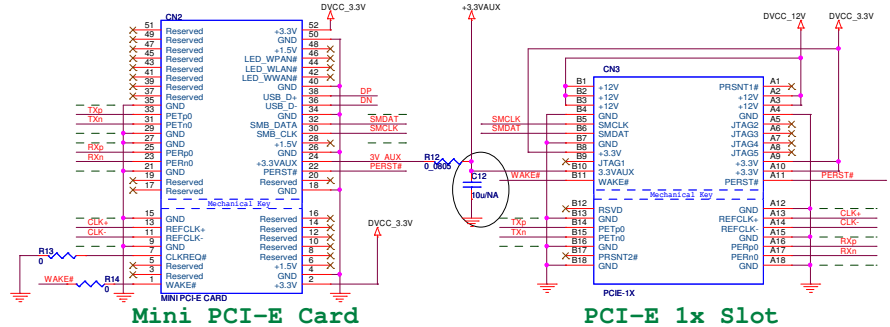
Card dimensions and design should match requirements for the standard half length PCI-Express card and should be designed to use the card retainer as detailed in the PCI Express Electromechanical specification rev 1.0a. Height may be increased to allow for placement of all components but width and thickness must be as required in the specification



DC/DC circuit 3.3V to 12V/200mA For PCI-E 1X slot  
**PCI-E 12V DC/DC circuit /NA**



DC/DC circuit 3.3V to 5V/1A For PCI-E 1X slot  
**USB 5V DC/DC circuit /NA**



**Mini PCI-E Card**

**PCI-E 1x Slot**

Title		
PCI-E 1x to Mini PCI-E adapter		
Size	Document Number	Rev
A3	MINI PCI-E CARD	Eplus Technology Co., Ltd. 1.0
Date:	Thursday, April 15, 2010	Sheet 1 of 1